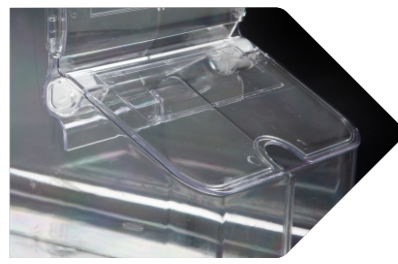
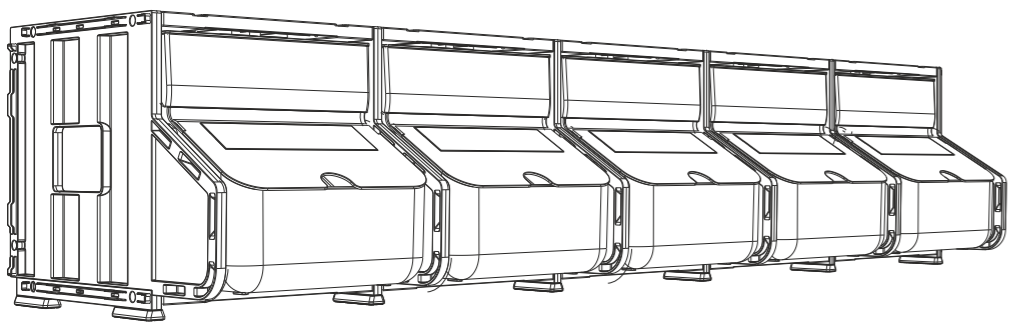
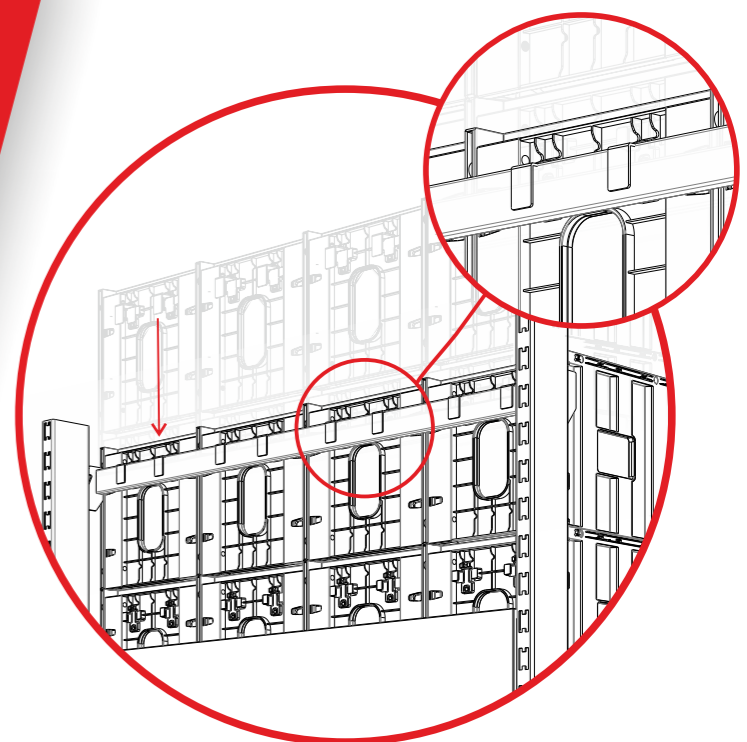


- Injection moulded box from clear food approved PET
- Super strong injection moulded frame from Polycarbonate
- No adjustments needed on existing shelving system

SOFT CLOSING HINGES

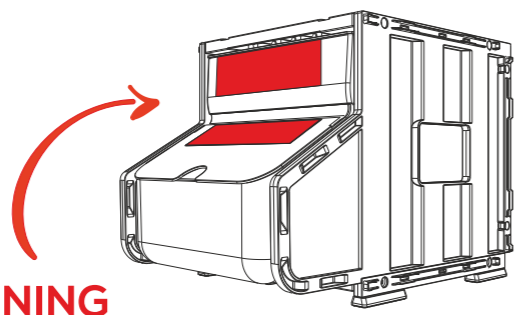


OPEN THE BOX !

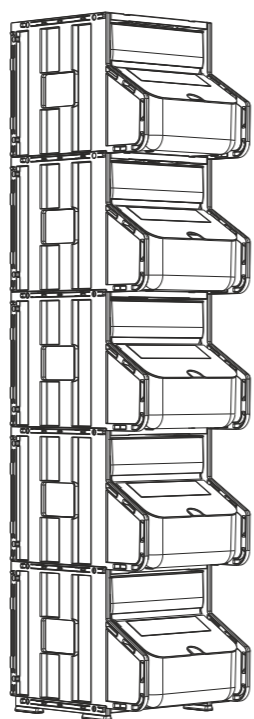


Organize the system in horizontal

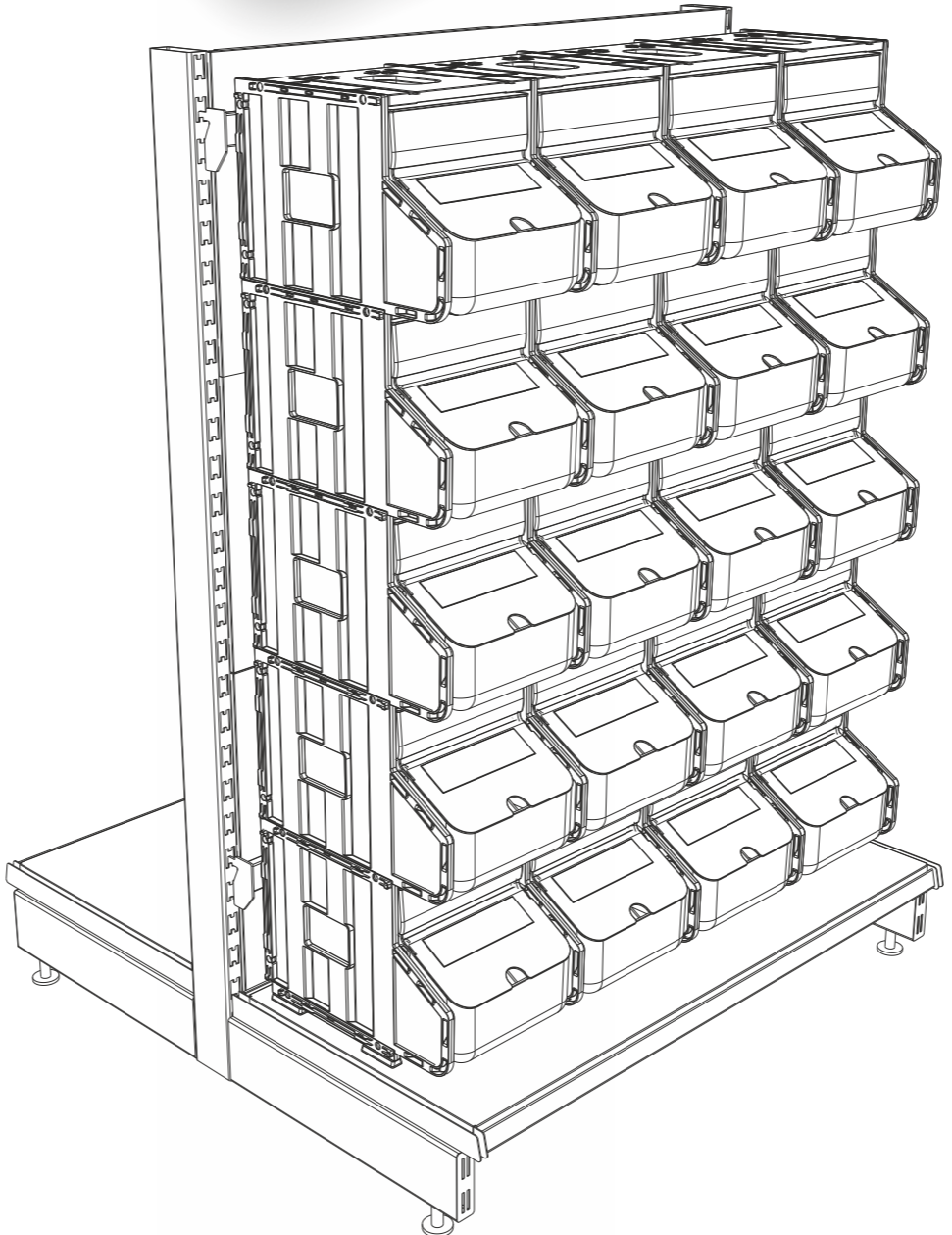
The Box can be divided in two equal compartments



SIGNING
TWO SIGNING AREAS
(one on the front and one on the front lid of the box)



Organize the system in vertical



Pick&Mix systems are in most cases difficult to integrate in existing shelving systems. The magic of our "Out of the Box" system is that it will fit on most of them. Just put the polycarbonate frame onto a shelf and secure it on the back by hanging it over a crossbar. This provides tilting and the weight will be carried by the shelf.

CONFIGURE ANY COMBINATION YOU DESIRE.

